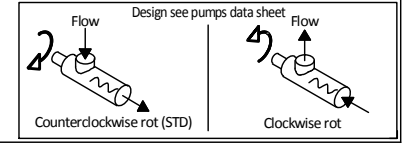
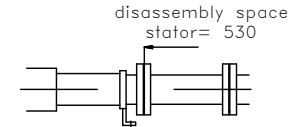
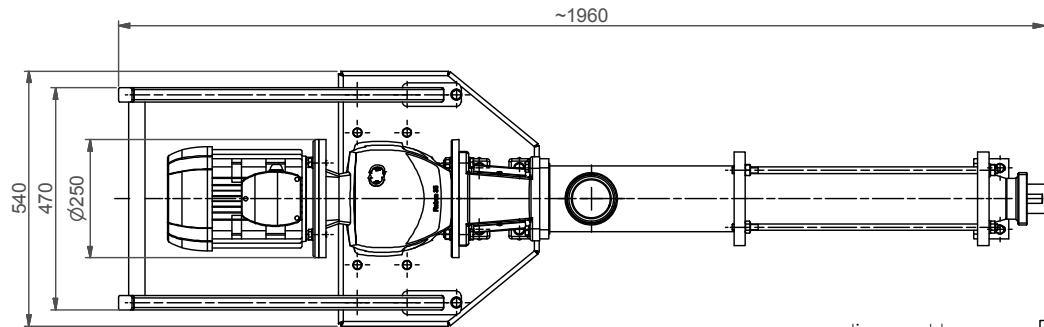
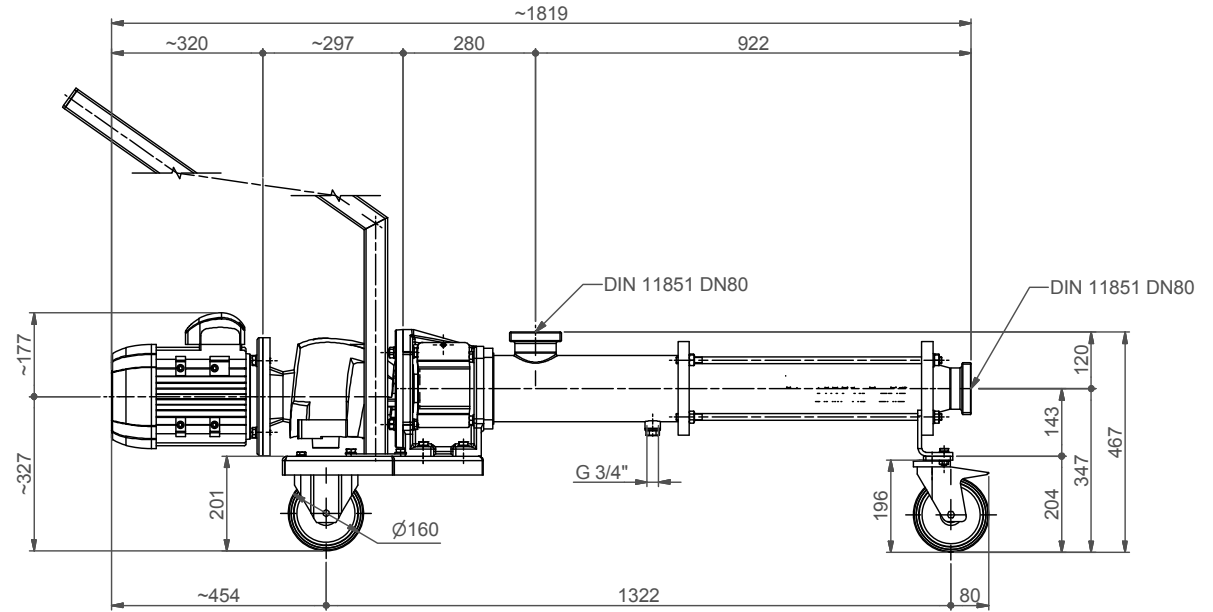
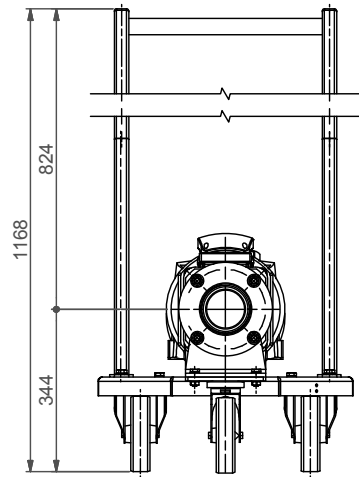


C.W.M. S.R.L.



Replacement for: DN201A_D2.01.001
TYPE: MD50-2
Denomination:
Dimensional Drawing

Replacement by:	Drawn: MG	Scale: 1:16	Weight: 168 kg
	Date: 1/14		
	Check: MG		Sheet 1 of 1
	Date: 1/14	<i>General Tolerances ISO 2768-v</i> <i>Geometrical tolerance and roughness ISO 1302</i>	